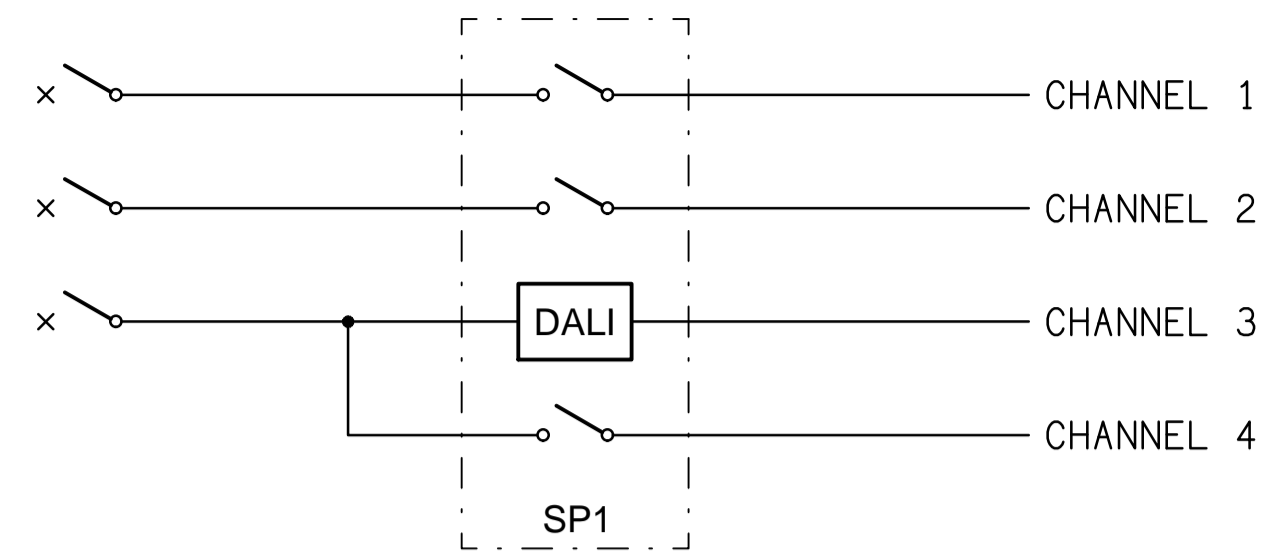


LEGEND

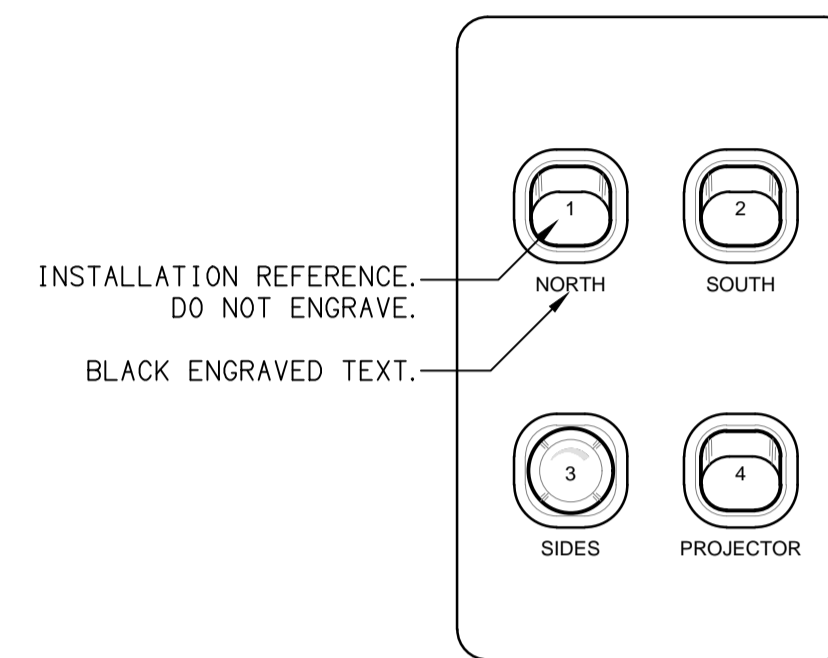
- ELECTRICAL SERVICES SWITCHBOARD.
- SWITCHBOARD / CONTROL PANEL NOT PROVIDED AS PART OF THE ELECTRICAL SUBCONTRACT.
- SINGLE POWER OUTLET.
- DOUBLE POWER OUTLET.
- SPECIAL PURPOSE POWER OUTLET.
- SINGLE PHASE ISOLATOR.
- THREE PHASE ISOLATOR.
- DALI MANUAL POT SWITCH DIMMER.
- LIGHTING CONTROL SWITCH PANEL.
- ONE-WAY LIGHT SWITCH.
- TWO-WAY LIGHT SWITCH.
- CIRCUIT LINE.
- SWITCH LINE.
- POWER CIRCUIT DESIGNATION. DENOTES DB AND CIRCUIT.
- LIGHTING CONTROL CHANNEL REFERENCE.
- ELECTRICAL EQUIPMENT AS NOTED.
- RECESS KIT OUTLET.
- RJ45 COMMUNICATIONS OUTLET.
- CAT-6 LINK CABLE.
- CCTV CAMERA TO BE RELOCATED.
- SECURITY DATA GATHERING PANEL.
- SECURITY DIRECTIONAL MOTION DETECTOR.
- SECURITY PIEZO SIREN TO BE RELOCATED.
- EXISTING SCHOOL BELL PA HORN TO BE REMOVED.
- EXISTING SCHOOL BELL PA SPEAKER TO BE REMOVED.
- RECESSED SCHOOL BELL PA CEILING SPEAKER.
- EXISTING AUDIO SYSTEM SPEAKER TO BE RELOCATED.
- EXISTING PROJECTOR OUTLETS TO BE RELOCATED.
- EXISTING MOTORISED SCREEN OUTLETS TO BE RELOCATED.
- EXISTING HOOP SERVICES TO REMAIN AS IS.
- EXISTING HOOP CONTROL SERVICES TO REMAIN AS IS.
- REDCAT HEARING AUGMENTATION SPEAKER.
- CLASS ROOM FAN CONTROLLER.
- BIG ASS FAN CONTROLLER.
- F1: CLASS ROOM FAN.
- F2: BIG ASS FAN.

LEGEND

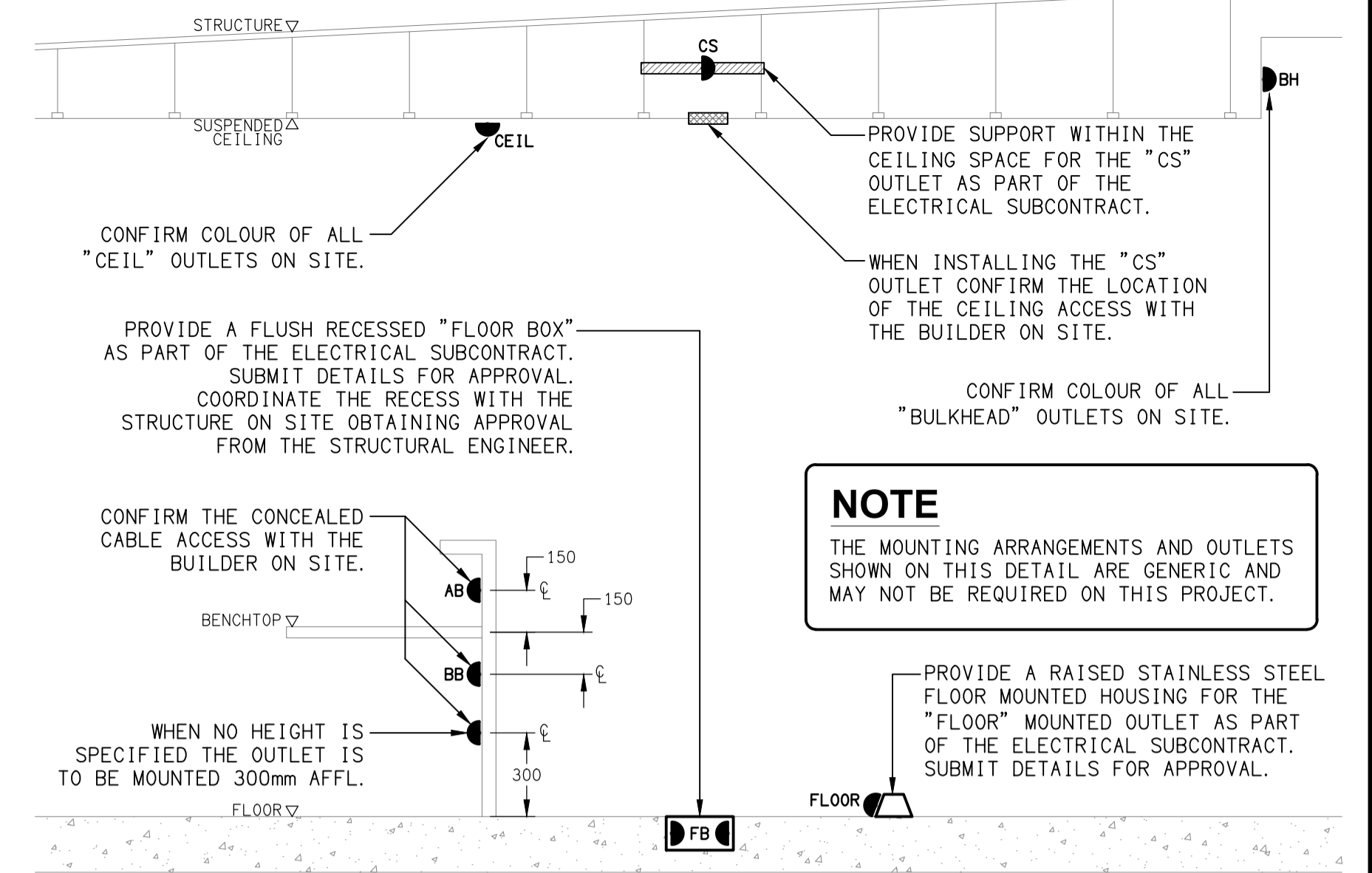
- REFER TO DETAIL NOTED FOR THE AREA SHOWN HATCHED. ADDITIONAL OUTLETS & FITTINGS MAY BE SHOWN ON DETAIL.
- E1: GENERAL LED EMERGENCY LIGHT.
- E2: BALL PROOF IMPACT RESISTANT EMERGENCY EXIT LIGHT.
- EX: EMERGENCY LED EXIT LIGHT.
- L1: 300 x 1200 LAY-IN LED TROFFER.
- L2: 300 x 1200 PLASTERBOARD LED TROFFER.
- L3: 1200 LONG LED BATTEN.
- L4: SIDE MOUNTED EXTRUSION LIGHT. LENGTH AS NOTED.
- L5: EXISTING BATTEN TO BE REMOVED.
- L6: VERTICAL RECESSED DIMMABLE EXTRUSION LIGHT.
- L7: RECESSED DOWNLIGHT.
- L8: ADJUSTABLE RECESSED DOWNLIGHT.
- L9: WALL MOUNTED AREA LIGHT.
- L10: TROPHY CABINET LED STRIP LIGHT.
- L11: RGB FEATURE LED STRIP LIGHT.
- RGB CONTROLLER.



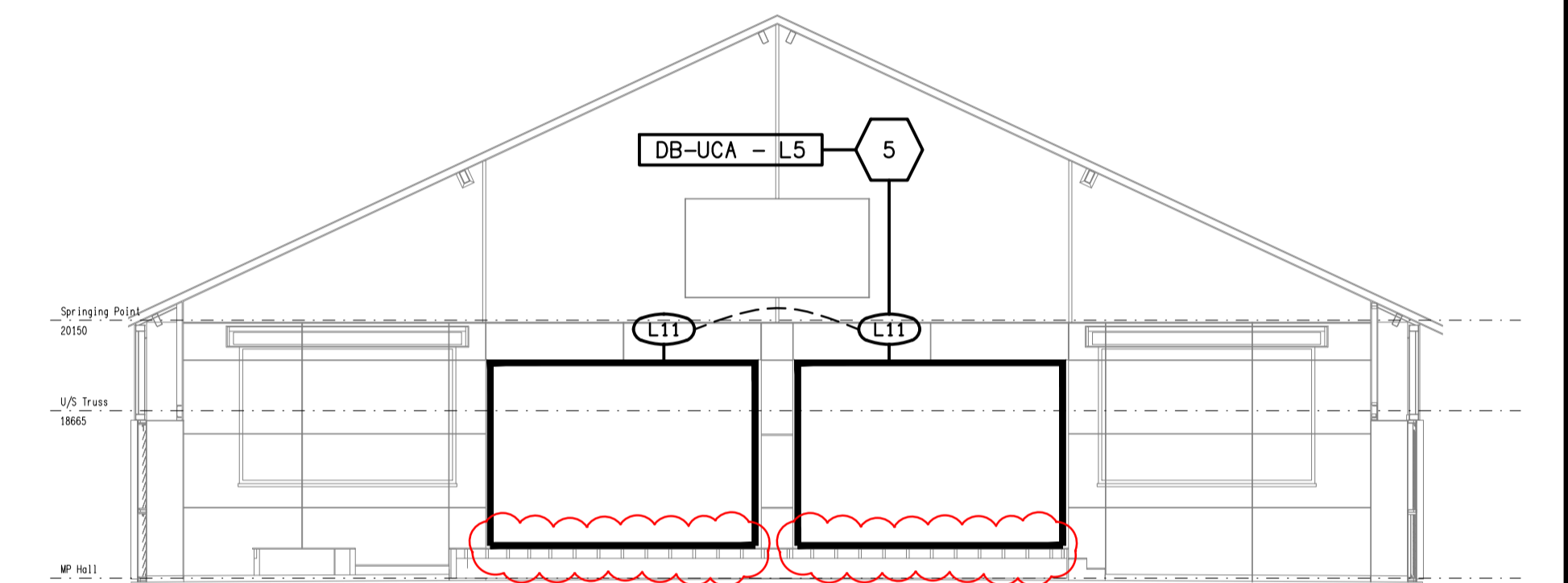
SCHEMATIC
SWITCH PANEL SP1 CONFIGURATION
NOT TO SCALE



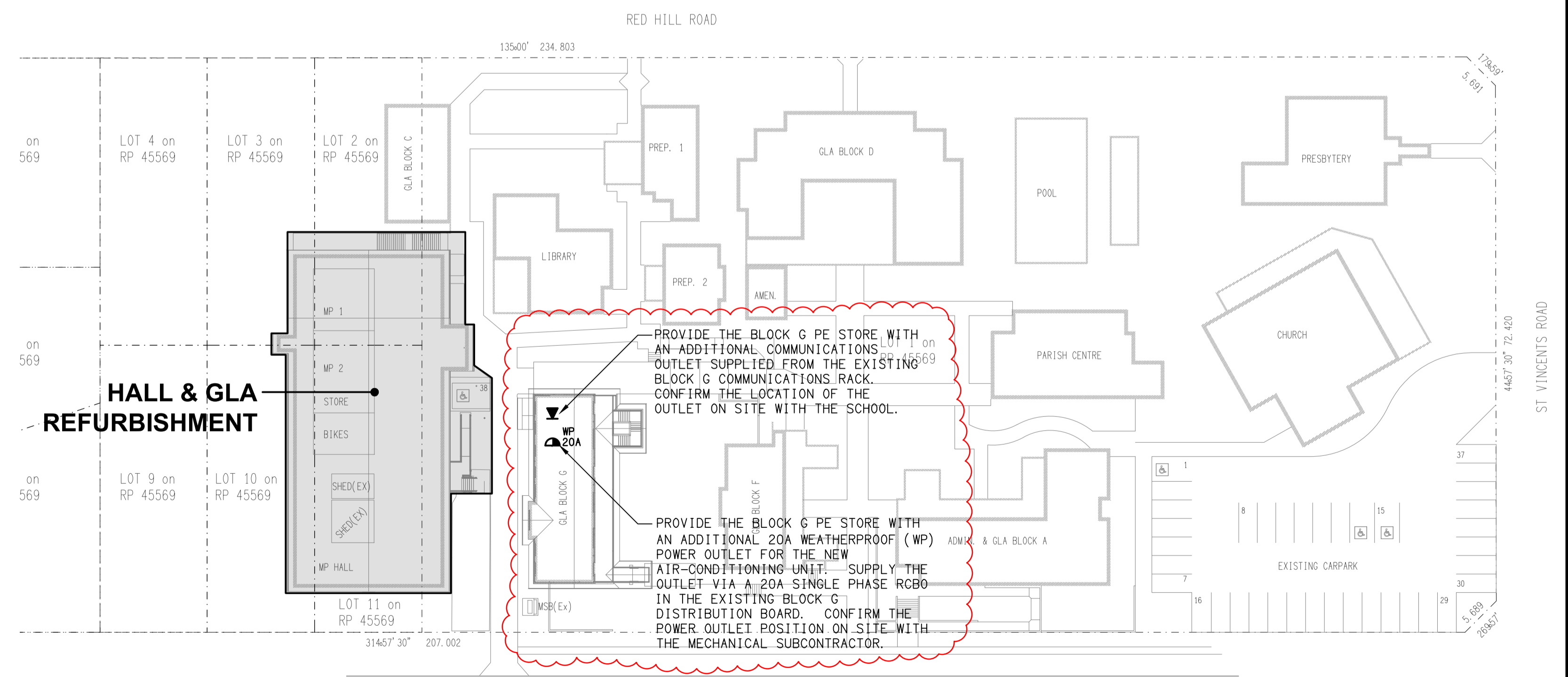
DETAIL
SWITCH PANEL SP1 ELEVATION
NOT TO SCALE



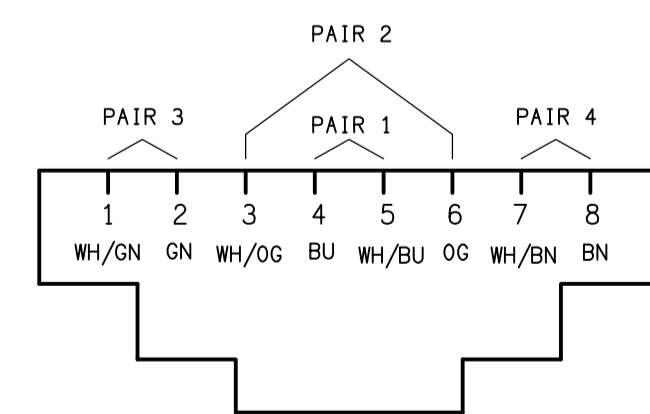
DETAIL
TYPICAL OUTLET MOUNTINGS
NOT TO SCALE



DETAIL A
LIGHT TYPE L11 ELEVATION
SCALE 1:100



HALL & GLA REFURBISHMENT



SCHEMATIC
RJ45 PINOUT CONFIGURATION
NOT TO SCALE